

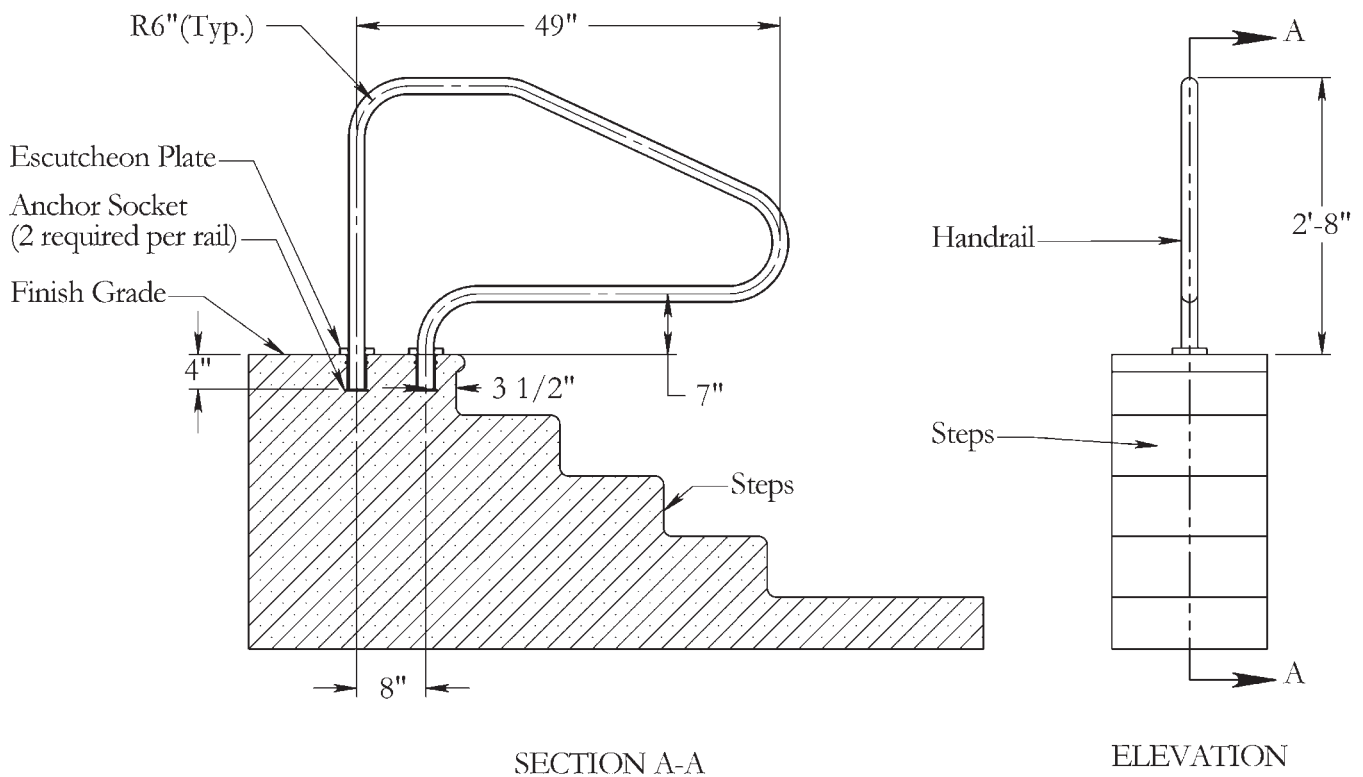


Part # D4D049

FEATURES:

- Durable & Long Lasting .049" wall Stainless Steel Construction
- Available in 5 Powder Coated Finishes
- Ultra Protect Sealant Adds Protection From Surface Rust
- Full Exploded View - pg. F33

Custom Powder Coated Colors = White -1; Earth: -3; Copper Vein: -4; Hammertone Gray: -6; Light Gray: -9
(add custom color code behind part # when ordering)



NOTE: Escutcheons sold separately w/ss products; included with powder coated ladders and rails.
 All measurements on center.